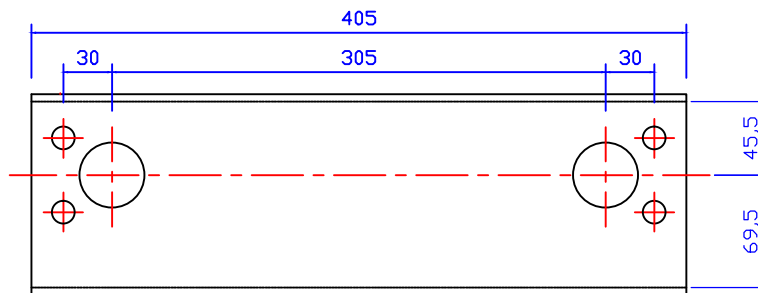
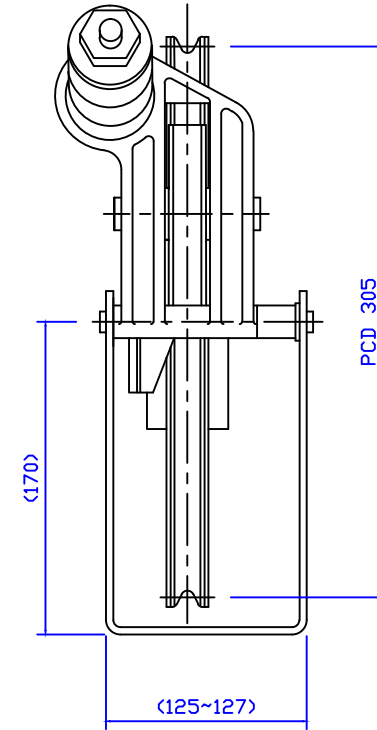
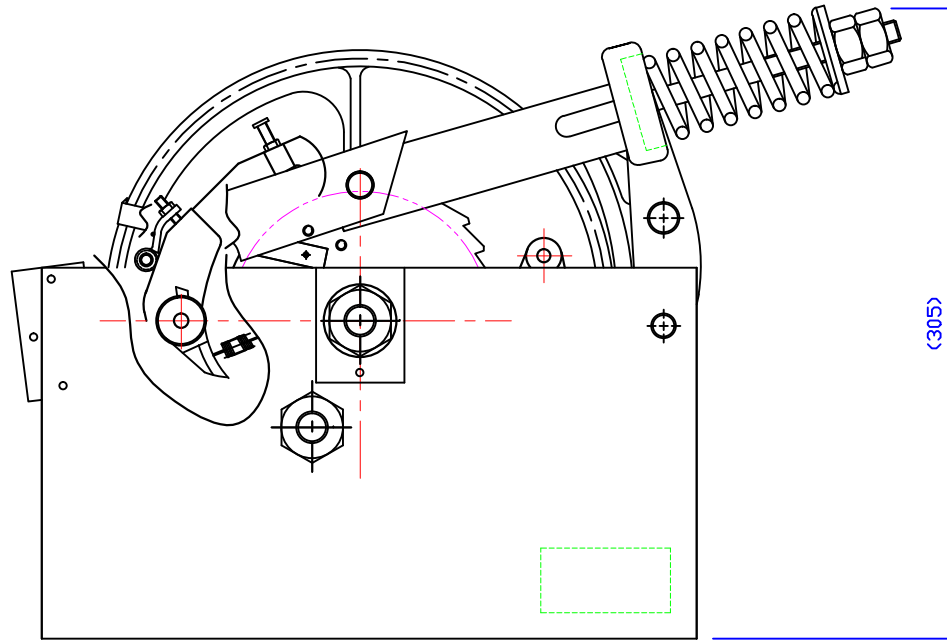


GOVERNOR ASS'Y
(MODEL NAME : DND-GV-002)



L. NO. TABLE

L. NO.	RATED SPEED (M/S)	OVER SPEED (M/S)	TRIPING SPEED (M/S)	PULL THRU (KG)	PULLEY PCD (MM)	ROPE DIA. (MM)	WEIGHT (KG)
01	0.5	0.65	0.7	Min.140	305	10	23
02	0.75	0.95	1.05				
03	1.0	1.3	1.4				
04	1.5	1.78	1.98				
05	1.75	2.10	2.30	Min.200	305	8	26
06	2.0	2.35	2.6				
07	2.5	2.95	3.2				
11	0.5	0.65	0.7	Min.140	305	8	23
12	0.75	0.95	1.05				
13	1.0	1.3	1.4				
14	1.5	1.78	1.98				
15	1.75	2.10	2.30	Min.200	305	8	26
16	2.0	2.35	2.6				
17	2.5	2.95	3.2				